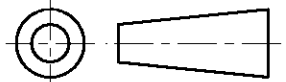


DO NOT SCALE

DIMENSIONS IN mm

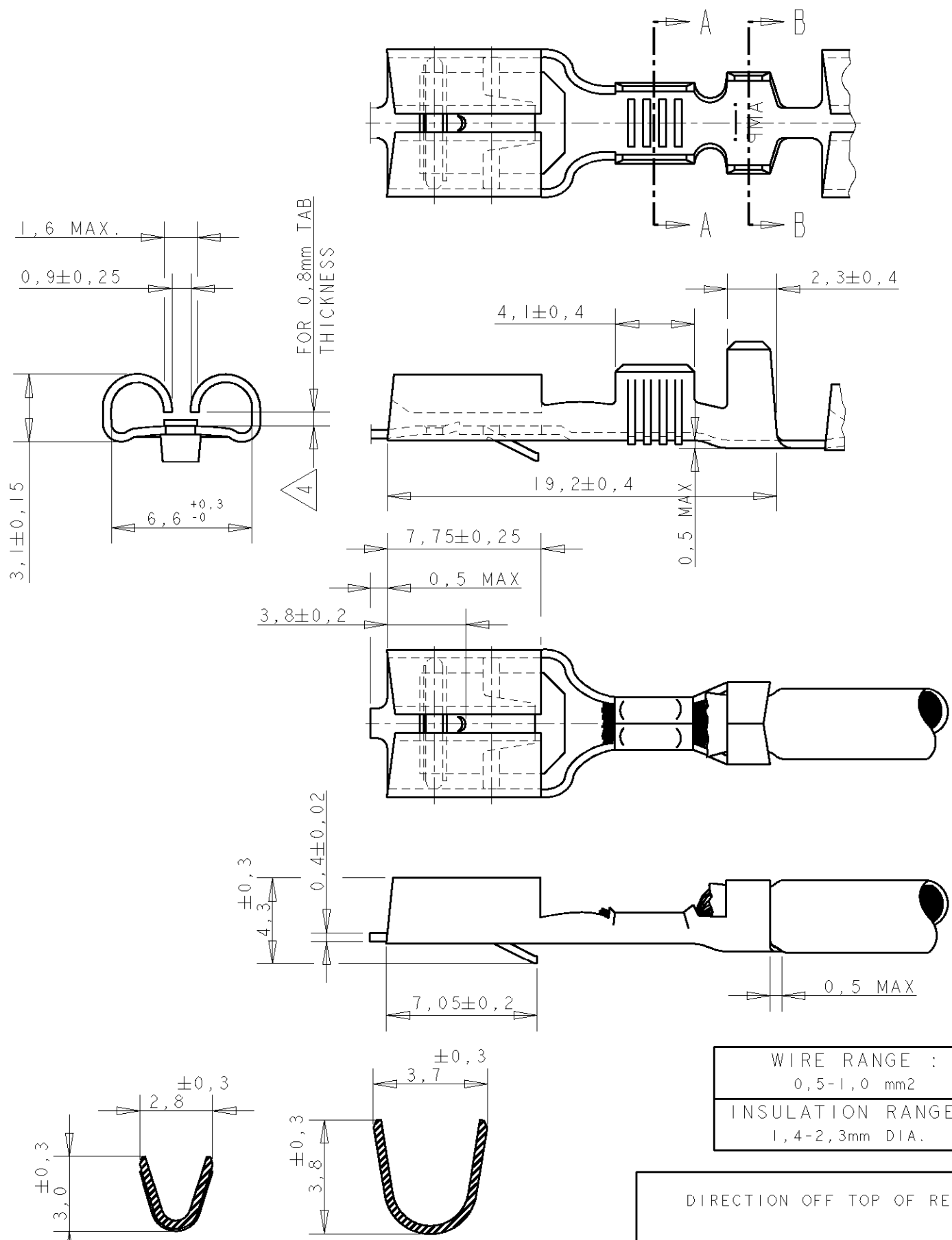
METRIC

THIRD ANGLE  
PROJECTION

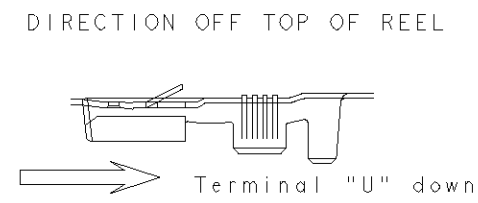


NOTES:

- 1 FOR USE ON MINIATURE APPLICATORS ( LEFT-RIGHT FEED ) AND STANDARD APPLICATORS ( RIGHT-LEFT FEED ).
- 2 BRASS ACC ASTM B36 ALLOY 260.
- 3 PH.BRONZE ACC ASTM B103.
- 4 GAGE 0,71 MUST NOT ENTER ; GAGE 0,51 MUST ENTER.
- 5 REELED WITH PAPER COVER



WIRE RANGE :  
0,5-1,0 mm<sup>2</sup>  
INSULATION RANGE :  
1,4-2,3mm DIA.



GENERAL TOLERANCES ±0.3

NOTES	FINISH	MATERIAL	PARTNUMBER
1 3	PRE-TINPLATED	PH.BRONZE	6-160860-8
1 2	PRE-TINPLATED	BRASS	6-160860-7
1 3	TINPLATED	PH.BRONZE	160860-4
1 3	UNPLATED	PH.BRONZE	160860-3
1 2	TINPLATED	BRASS	160860-2
1 2	UNPLATED	BRASS	160860-1

LTR.	REVISION RECORD	DR.	CHK.	DATE	NAME	DWG.No.	REV.LTR.	SHEET
D	ES00-0008-03	JC	JL	17JAN03	<p><b>AMP</b> Tyco Electronics AMP Barcelona, Spain</p> <p>.250 SRS FASTIN-ON RECEPTACLE</p>	160860	D	1 OF 1
B	ES00-0043-01	JC	RS	2MAY01				
A	EH-0168-94	DK	PB	21-06-94				
DR.:	P.BEIJNON	CHK.:	A.BIJNEN	APP.:	L.v.SOEST	DWG.No.	REV.LTR.	SHEET
DATE:	14-03-90	DATE:	-	DATE:	18-04-90	160860	D	1 OF 1